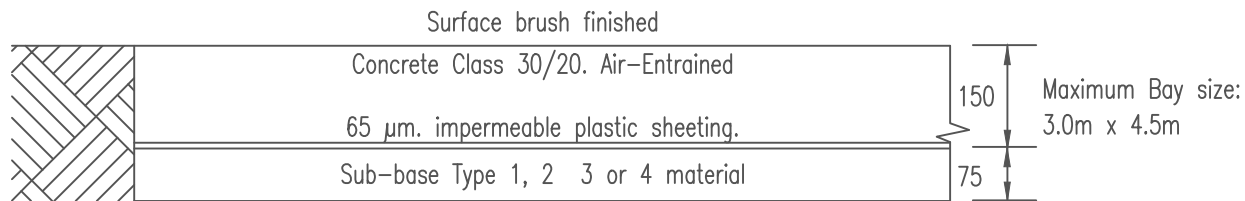
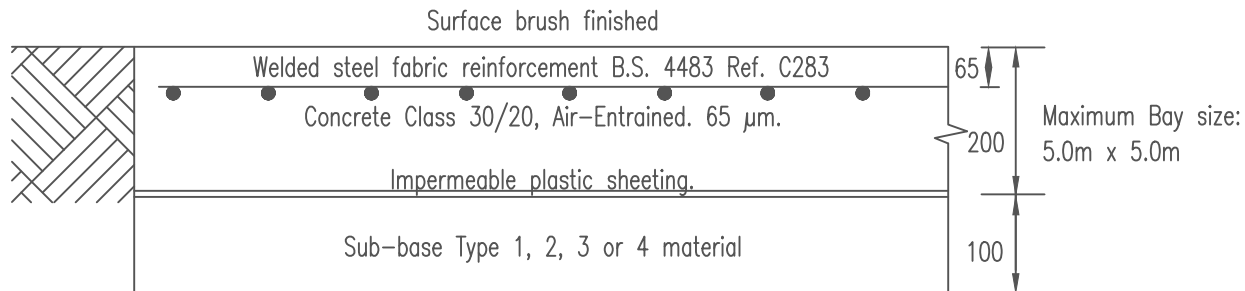


PEDESTRIAN ONLY TYPE RP



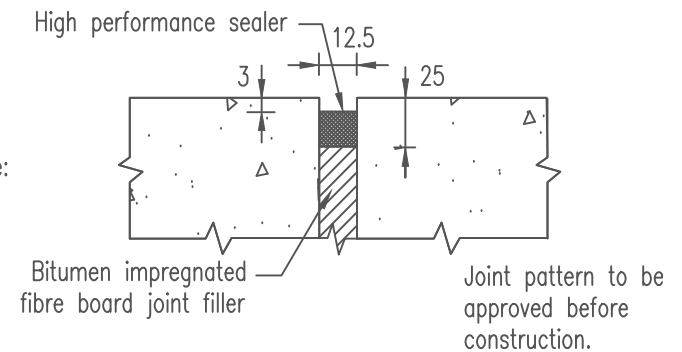
LIGHT VEHICLE FOOTWAY WITH OCCASIONAL HEAVY VEHICLE OVERRUN TYPE R0



HEAVY VEHICLE FOOTWAY TYPE RH

Notes

1. Width of footway and layout indicated on scheme plans.
2. Footways shall have a crossfall between 2.5% to 3.3% towards the carriageway unless otherwise indicated on the scheme drawings.
3. Exposed edges shall be ariss trowelled.
4. All dimensions in millimetres unless stated otherwise.
5. Full width of formation to be treated with approved residual root and foliage absorbed herbicide.



JOINT DETAIL FOR RIGID CONSTRUCTION



Growth, Highways and Infrastructure  
Suffolk County Council  
Endeavour House,  
8 Russell Road  
Ipswich  
IP1 2BX

FOOTWAY and VEHICULAR ACCESS  
CONSTRUCTION (RIGID)

REV.	DESCRIPTION	CHECKED	DATE
A	Drawing Revision	SDB	10/14

ORIGINATOR	INIT.	DATE	PROJECT TITLE
	RH	09/12	DEVELOPMENT MANAGEMENT DRAWINGS
CHECKER	JN	09/12	SCALE Not to Scale
DESIGNER	SDB	09/12	DATE Sept 2012
REVIEWER	CAG	09/12	DRAWING No. DM07