

DATED

10 July

2023

SUFFOLK COUNTY COUNCIL (1)

- and -

CLARICE LEISURE LIMITED (2)

- and -

LLOYDS BANK PLC (3)

AGREEMENT

made pursuant to Sections 278 and 38 of the Highways Act 1980
and any other enabling power relating to
the development of land at Clarice House, Bramford, Suffolk

Nigel Inniss
Head of Legal Services
Suffolk County Council
Endeavour House
8 Russell Road Ipswich
Suffolk IP1 2BX

Ref: FB/70563

**SECTION 278 AGREEMENT
INDEX**

	Page
Recitals & Definitions	
RECITALS AND DEFINITIONS.....	4
1 LEGAL EFFECT	8
2 NOTICES	9
3 GENERAL.....	10
4 ARBITRATION	11
5 COVENANTS.....	12
1 THE DESIGN OF THE HIGHWAY WORKS	15
2 LETTING OF THE CONTRACT	16
3 INSPECTION OF THE HIGHWAY WORKS	17
4 TESTING OF MATERIALS	18
5 OPENING OF THE HIGHWAY WORKS.....	18
6 UNDERTAKERS.....	19
7 PROTECTION OF THE PUBLIC	20
10 TIMING.....	23
11 SAFETY	23
12 ACCOMMODATION WORKS	23
13 CONSTRUCTION (DESIGN AND MANAGEMENT) REGULATIONS 2015	23
14 SITE CLEARANCE AND CERTIFICATE(S) OF SUBSTANTIAL COMPLETION	25
15 DEFECTS CORRECTION PERIOD AND CERTIFICATE OF FINAL COMPLETION	26

16	INDEMNITY	27
17	PERFORMANCE BOND / PERFORMANCE Cash deposit	28
18	COMMUTED SUMS FOR MAINTENANCE	30
19	LEGAL AND ADMINISTRATIVE COSTS.....	30
20	PARTS I AND II OF THE LAND COMPENSATION ACT 1973.....	31
	SCHEDULE II	32
	SCHEDULE III	33

THIS AGREEMENT is made the 10th day of July 2023
BETWEEN the following parties :-

- (1) SUFFOLK COUNTY COUNCIL of Endeavour House 8 Russell Road Ipswich Suffolk IP1 2BX ("the County Council")
- (2) CLARICE LEISURE LIMITED (company number 03351750) of Fitness Express Park Farm Norwich Road Hethersett, Norwich NR9 3DL ("the Developer")
- (3) LLOYDS BANK PLC (company number 00002065) of 25 Gresham Street, London, EC2V 7HN ("the Mortgagee")

RECITALS AND DEFINITIONS

(A) In this Agreement unless the context otherwise requires the following words shall have the following meanings :-

"1980 Act"	Means the Highways Act 1980 (as amended)
"Approved Contractor"	Means the contractor(s) approved by the County Council for carrying out the Highway Works of the value and complexity proposed
"Approved Sub-Contractor"	Means the sub-contractor(s) approved by the County Council for carrying out the Highway Works of the value and complexity proposed
"CDM Regulations"	Means the Construction (Design and Management) Regulations 2015 (SI 2015/51)
"Certificate of Final Completion"	Means any of the certificates referred to in paragraph 15.3 of Schedule I
"Certificate of Substantial Completion"	Means any of the certificates referred to in paragraph 14.2 of Schedule I
"Commutated Sums"	Means the sum of £3,010 (Three Thousand and Ten Pounds) which is calculated, as set out in paragraph 18.1 on Schedule I towards the cost of the County Council's future maintenance liability of the Highway Works

“Contract”	Means the contract or contracts in respect of each and all of the Highway Works
“Contractor”	Means the contractor or contractors who have been awarded the Contract to execute the Highway Works. For the avoidance of doubt the aforementioned definition does not include any subcontractor
“Development”	Means the development to be carried out pursuant to the Permission
“Director”	Means the County Council’s Executive Director of Growth, Highways and Infrastructure or other officers of the County Council acting under his hand
“Highway Works”	Means the works collectively or individually as the context requires which are set out in Schedule II of this Agreement and shown in the Works Drawings
“Performance Figure”	Means the sum of £31,893.60 (Thirty-One Thousand, Eight Hundred and Ninety-Three Pounds and Sixty Pence) being the Tender Sum plus 10 per cent in respect of the Highway Works and as set out in each of the Contracts
“Performance Cash Deposit”	Means the cash deposit for all of the Highway Works such cash deposit to be held by the County Council should the Developer default in the execution of its obligations to carry out the Highway Works and to maintain the same in accordance with the provisions of this Agreement then the County Council will apply the Performance Cash Deposit to the necessary works in satisfaction thereof (subject to the provisions hereinafter contained) to carry out the Highway Works and maintain the same as aforesaid.
“Permission”	Means the planning permission granted by Mid Suffolk District dated 2 October 2019 granted with reference number DC/19/00870 in respect of the Site together with any modification of it

"Road Safety Audit"	Means the evaluation of each and all of the Highway Works during design and at the end of construction to identify potential road safety problems that may affect any users of the highway and to suggest measures to eliminate or mitigate those problems in accordance with Department for Transport standards or by the County Council as agreed by the Director
"Site"	Means land situated at Clarice House, Bramford, Suffolk shown edged red for identification only on the attached plan no 3927-05
"Specification"	The County Council's "Specification for Estate Roads" dated May 2007 (or later amendment current at the date of this Agreement) so far as this is consistent with the Works Drawings and description in Schedule II (subject to any variations agreed in writing by the Director)
"Sub-contractor"	Means the sub-contractor(s) working for the Contractor(s) who have been contracted to execute the Highway Works
"Substantial Completion"	Means complete to the reasonable satisfaction of the Director and so that the Highway Works can be used for the purpose and operate in the manner for which they were designed
"Technical Standards"	Means the standards necessary to ensure complete conformity with all UK primary and secondary legislation (including by-laws) all guidance standards and codes of practice issued by the Department for Transport the County Council statutory undertakers and relevant professional institutes the Road Safety Audit and formal instructions issued by the Director from time to time during the design and implementation of the Highway Works and for the avoidance of doubt this shall include the Traffic Signs Regulations and General Directions 2016 and BS5489 in relation to the design of any street lighting
"Tender Sum"	Means the sum of £28,994.18 (Twenty-Eight Thousand, Nine Hundred and Ninety-Four Pounds and Eighteen Pence) (including the costs associated with statutory undertakers

work and traffic management) agreed by the Director for carrying out the Contract by the Contractor

“Works Drawings” Means the attached drawings bearing the numbers referred to in Schedule III or any subsequent revision of them which has been approved or requested by the Director and which relate to the Highway Works

- (B) In this Agreement unless the context otherwise requires :-
- (i) Words importing the singular meaning where the context so admits include the plural meaning and vice versa; and
 - (ii) Words of the masculine gender include the feminine and neuter genders and words denoting actual persons include companies, corporations and firms and all such words shall be construed interchangeably in that manner; and
 - (iii) “party” or “parties” means a party or parties to this Agreement; and
 - (iv) references to any party shall include the successors in title and assigns of that party; and in the case of the County Council the successors to its statutory functions; and
 - (v) where a party includes more than one person any obligations of that party can be enforced against all of them jointly and severally unless there is an express provision otherwise; and
 - (vi) the headings and contents list in this Agreement shall not form part of or affect its construction; and
 - (vii) references to clauses schedules and paragraphs are references to clauses in and schedules to this Agreement and paragraphs in schedules to this Agreement; and
 - (viii) where a party or any officer or employee is required to give its consent approval or agreement to any specific provision in this Agreement such consent approval or agreement shall not be unreasonably withheld or delayed; and

- (ix) any mention herein of any act or of any section regulation or statutory instrument shall be deemed to refer to the same source as at any time amended and where such act section regulation or statutory instrument has been replaced consolidated or re-enacted with or without amendment such mention shall be deemed to refer to the relevant provision of the updating consolidating or re-enacting act or section or regulation or statutory instrument
- (C) The County Council is the highway authority (except for trunk roads) for the purposes of the 1980 Act for the area within which the Site is situated and the Highway Works will be carried out
- (D) The Developer has the benefit of the Permission
- (E) The Developer is the registered proprietor with title absolute of the Site in so far as it is registered at the Land Registry under Title Number SK137493
- (F) The Mortgagee has a registered charge dated 25 February 2022 over the Site registered with Title Number SK137493
- (G) The Developer wishes to dedicate as public highway that part of the Site upon which the Highway Works are to be constructed which does not currently form part of the public highway and the County Council agrees to accept such dedication and adopt that part of the Site and the Highway Works as highway maintainable at public expense on the terms and conditions hereinafter contained
- (H) Having regard to the development plan and other material considerations the County Council considers it expedient in the interests of the proper planning of their area that the Highway Works need to be carried out to facilitate the Development and that entering into this Agreement will be of benefit to the public

NOW THIS DEED WITNESSES as follows:-

1 LEGAL EFFECT

- 1.1. This Agreement and the covenants that appear hereinafter are made pursuant to Sections 38 72 and 278 of the 1980 Act Section 111 of the Local Government Act 1972 and Section 1 of the Localism Act 2011 and

all other enabling powers to the intent that the provisions of this Agreement shall bind the Site and the parties hereto and all persons deriving title through or under them

- 1.2. This Agreement is a Deed. Any financial default under this Agreement will be registered as a Local Land Charge under section 278(5)(c) of the 1980 Act
- 1.3. No waiver (whether express or implied) by the County Council of any breach or default by the Developer in the performance or observance of any of the covenants, terms or obligations in this Agreement shall constitute a continuing waiver and no such waiver shall prevent the County Council from enforcing any of the covenants, terms or obligations or from acting upon any subsequent breach or default in respect thereof
- 1.4. Any provision of this Agreement which is or may be unlawful void or unenforceable shall to the extent of such unlawfulness invalidity or unenforceability be deemed severable and shall not affect any other provision of this Agreement
- 1.5. This Agreement is governed by and interpreted in accordance with English law and shall be determined in the Courts of England

2 NOTICES

- 2.1. Any notices or other written communication to be served or given by one party upon or to any other party under the terms of this Agreement shall be deemed to have been validly served or given if delivered by hand or sent by recorded delivery post or sent by the DX service to the party upon whom it is to be served or to whom it is to be given or as otherwise notified for the purpose by notice in writing provided that the notice or other written communication is addressed and delivered by hand or by recorded delivery post or by the DX service to the address of the party concerned as nominated in sub-clause 2.2. below
- 2.2. The address for any notice or other written communication in the case of each party to this Agreement shall be as follows:-

The County Council Suffolk County Council Endavour
House 8 Russell Road Ipswich Suffolk

	IP1 2BX marked for the attention of the Assistant Director of Governance, Legal and Assurance (or where the context requires the Executive Director of Growth, Highways and Infrastructure, Endeavour House 8 Russell Road Ipswich IP1 2BX)
The Developer	marked for the attention of Dave Courteen, the Managing Director of Clarice Leisure Fitness Express Park Farm Norwich Road Hethersett Norwich NR9 3DL
The Mortgagee	marked for the attention of the Lloyds Bank PLC 25 Gresham Street, London EC2V 7HN and at Pendeford Securities Centre, Wolverhampton, WV9 5HZ (ref:)

2.3. Any notice or other written communication to be given by the County Council shall be deemed to be valid and effective if on its face it is signed on behalf of the County Council by a duly authorised officer

3 GENERAL

3.1. All works and activities to be carried out under the terms of this Agreement (including for the avoidance of doubt such works as are of a preparatory ancillary or of a maintenance nature) are (save where expressly provided otherwise) to be at the sole expense of the Developer and at no cost to the County Council

3.2. All consideration given and payments made in accordance with the provisions of this Agreement shall be exclusive of any VAT properly payable in respect thereof and in the event of VAT becoming chargeable at any time in respect of any supply made in accordance with the terms of this Agreement then to the extent that VAT had not previously been charged in respect of that supply the person making

the supply shall raise a VAT invoice to the person to whom the supply was made and the VAT shall be paid accordingly

- 3.3. The County Council and their respectively duly authorised officers and agents may enter upon the land on which the Highway Works are being carried out at any reasonable time to ascertain whether the terms of the Agreement are being or have been complied with

4 ARBITRATION

- 4.1. Any dispute or difference arising between the parties as a result of this Agreement may be referred to the arbitration of a single arbitrator to be agreed upon between the parties or failing agreement within fourteen days after either of the parties has given to the other a written request requiring the appointment of an arbitrator to a person to be appointed at the request of either of the parties by the President for the time being of The Institution of Civil Engineers
- 4.2. Any reference to arbitration shall be undertaken in accordance with and subject to the provisions of the Arbitration Act 1996 save as follows:-
- (a) the seat of the arbitration shall be at the County Council's offices in Ipswich Suffolk
 - (b) where appropriate the arbitrator may consolidate arbitral proceedings
 - (c) with the parties' agreement the arbitrator may appoint experts or legal advisers
- 4.3 A party wishing to refer any such dispute or difference to arbitration shall notify the other party in writing of such intention without delay
- 4.4 The arbitrator shall act as a referee and not as an expert except in any case where the parties to a dispute or difference agree on the arbitrator when such parties may also agree that such arbitrator shall act as an expert
- 4.5 Subject to Sections 67 68 and 69 of the Arbitration Act 1996 the parties agree to be bound by the decision of the arbitrator

5 COVENANTS

- 5.1 The Developer covenants and warrants to the County Council that they have full power to enter into this Agreement and there is no other person having a charge over or any other interest in the Site whose consent is necessary for the Developer and to enter into this Agreement and to comply with the obligations set out at paragraph 14.3 of Schedule I
- 5.2 The Developer hereby covenants and undertakes with the County Council that from the date of this Agreement it will (unless otherwise agreed by the County Council) carry out and comply with the obligations set out in Schedule I and the details set out in Schedules II and III hereto
- 5.3 The County Council without prejudice to its statutory powers and duties hereby appoints the Developer to act as its agent and gives to the Developer licence (in so far as is reasonably necessary for the Developer to perform the obligations under the terms of this Agreement) to enter into and upon and remain upon the highway to carry out the construction of the Highway Works within the timescales referred to in Schedule II hereto or such other period as may be agreed in writing by the Director, provided that this licence shall not extend to the Developer's successors in title or assigns unless otherwise agreed in writing by the Director prior to that successor or assignee commencing work in the public highway
- 5.4 The Developer covenants with the County Council not to commence the Highway Works set out in Schedule II unless road space has first been booked with the County Council and Highways England
- 5.5 The Developer covenants with the County Council as highway authority to give written notice not less than three calendar months prior to works commencing, in order that the County Council as highway authority has sufficient time to ensure that the commencement of works will cause the least disruption possible to road users and the County Council reserves the right to refuse consent and/or to stop or require the stopping of works under the terms of this Agreement and relevant legislation where the aforesaid notice period is not complied with
- 5.6 The Developer covenants with the County Council as highways authority to comply with the provisions of the New Roads and Street Works Act 1991, the Traffic Management Act 2004 and any amendments thereof

5.7 The County Council covenants with the Developer that on the date of issue of the Certificate of Final Completion the roads subject to the Highway Works shall thenceforth be, to the extent they are not already, adopted as highways maintainable at the public expense

6 MORTGAGEE CONSENT

6.1 The Mortgagee acknowledges and declares that this Agreement has been entered into by the Developer with its consent and that the Site shall be bound by the obligations contained in this Agreement PROVIDED THAT the Mortgagee shall otherwise have no liability under this Agreement unless it takes possession of the Site in which case it too will be bound by the obligations as if it were a person deriving title from the Developer

7 THIRD PARTY RIGHTS

7.1 It is hereby agreed and declared that the provisions of Contracts (Rights of Third Parties) Act 1999 shall not apply to this Agreement

8 LAPSE

8.1 If the Highway Works have not been commenced within one (1) year from the date of this Agreement, save as this period is otherwise extended in writing by the Director at his discretion, then this Agreement shall lapse and be of no further effect (save to the extent already complied with) and the Developer agrees to pay to the County Council any costs properly incurred by the County Council prior to the lapse of this Agreement (which have not already been paid) including but not limited to those costs set out in paragraph 19 of Schedule I to this Agreement

8.2 Where, in accordance with clause 8.1 above the Director, at his discretion, agrees in writing to an extension to the period of one (1) year after which this Agreement shall lapse, this Agreement shall lapse at the end of such period as agreed in writing by the Director where the Highway Works have not been commenced by the expiry of that extension period

In witness whereof this Agreement has been executed and delivered as a Deed on the date first written above

The COMMON SEAL of)
SUFFOLK COUNTY COUNCIL)
was hereunto affixed)
in the presence of)



..... Anna Mulholland
A Duly Authorised Officer

EXECUTED AS A DEED by
CLARICE LESIURE LIMITED
acting by a director in the presence of a witness Director:

Witness Signature:
Witness Name: BEVERLEY EAMES

Witness Address: PARIC FARM, HETHERSETT, NORFOLK, NR9 3DL

EXECUTED as a Deed by)
an attorney for and in the name of)
LLOYDS BANK PLC)
In the presence of)

Attorney

Witness signature
Name
Address

EXECUTED AS A DEED	
BY SENIOR CASE HANDLER as authorised signatory for Lloyds Bank plc in the presence of (signature of witness)	} Per Pro Lloyds Bank plc
<u>Holly Burrows</u> <u>Holly Burrows</u>	
Wobaston Rd, Wolverhampton WV9 5HZ	<u>A. Pearson</u> ANGELA PEARSON

SCHEDULE I

1 THE DESIGN OF THE HIGHWAY WORKS

1.1 The design of the Highway Works shall be to the satisfaction of the Director with due consideration of the Technical Standards

1.2 No work on any of the Highway Works shall commence and no Contract for their construction shall be let until

1.2.1 full details of the design of the Highway Works to be commenced in the form of plans, drawings, specifications and other materials have been submitted to the Director together with the name of the principal designer (whom the Developer shall appoint for the full duration of the design and construction of each and all of the Highway Works) in accordance with the CDM Regulations and any codes of practice referred to therein

1.2.2 the Director has given his written approval to the Highway Works to be commenced and such approval shall not be given if the said plans, drawings, specifications and other documentation have not adequately addressed the issues raised in the pre-construction stages of the Road Safety Audit process and if given shall lapse if the Highway Works are not commenced within twelve (12) months of the date of the said Director's approval

1.3 If the Director does not propose to give his approval in relation to those matters referred to in paragraph 1.2 of this Schedule he shall in each case as soon as possible in writing inform the Developer and if the Director requires amendments or additions to the plans drawings specifications and other materials referred to in paragraph 1.2 of this Schedule these amendments shall be undertaken by the Developer at his own expense and a revised set of updated documents shall be re-submitted to the Director for his approval

1.4 Without prejudice to paragraph 1.2 of this Schedule, the Director shall not give his approval as referred therein until the Developer has paid the sum referred to in paragraph 19.1.3 towards the cost of checking the design of the Highway Works and inspecting the Highway Works. The Highway

Works at all times shall be carried out in accordance with the plans, drawings, specifications and other materials which have received the Director's approval referred to in paragraph 1.2 of this Schedule and the Developer shall in the execution of the Highway Works comply or ensure that the Contractor complies with the Technical Standards

2 LETTING OF THE CONTRACT

- 2.1 No Contract shall be let until all traffic management measures have been prepared by the Developer and approved in writing by the Director ("the approved programme") and thereafter each of the Contracts will be offered to an Approved Contractor
- 2.2 The Contract to be let under paragraph 2.1 of this Schedule shall be let under NEC3 suite of contracts (and any amendments thereto shall be approved by the Director) and the Developer shall obtain the agreement of the Contractor to be bound by the agreed drawings in Schedule III
- 2.3 The Contract shall be awarded by the Developer subject to the Director having first given his written approval to the proposed chartered engineer(s) or other suitably qualified person(s) who shall be independent of the Contractor and will supervise the execution of the Highway Works by the Contractor
- 2.4 The Developer shall not award the Contract unless the Approved Contractor and the Approved Sub-Contractor/s concerned are insured throughout the period of the Contract (such period to include the maintenance period detailed in paragraph 15.1 of this Schedule) for public liability risks in the sum of at least ten million pounds (£10,000,000) in respect of any single claim and the Developer shall ensure that the Contractor remains so insured throughout the period of the Contract and prior to the commencement of each or all of the Highway Works or any maintenance works carried out in accordance with paragraph 15.1 of this Schedule the Developer shall produce to the Director insurance policies fully covering the Developer's liability in respect of the matters set out in this Agreement
- 2.5 The Developer shall not sub-contract or assign the Contract without the written approval of the Director and any sub-contractor shall be an Approved Sub-Contractor

3 INSPECTION OF THE HIGHWAY WORKS

- 3.1 The Developer shall provide the Director with not less than twenty-four (24) hours nor more than seventy-two (72) hours notice (excluding weekends and bank holidays) of any intended execution of the Highway Works specifying the tasks to be carried out in accordance with the approved programme referred to in paragraph 2.1 of this Schedule
- 3.2 Without prejudice to the approved programme the Developer shall notify the Director in writing at least twenty-eight (28) days prior to the commencement of any work connected with statutory undertaker's equipment
- 3.3 The Developer shall during the progress of each and all of the Highway Works give to or procure for the Director and any person or persons duly authorised by him free access to every part of the Highway Works and the Site and permit him or them to inspect the same as they proceed and all materials used or intended to be used therein and shall give effect to any reasonable and proper requirements made or reasonable and proper directions given by the Director to conform to the approved detailed plans Works Drawings and specification referred to in paragraph 1.2 of this Schedule
- 3.4 The Developer shall not cover up or put out of view any works forming part of the Highway Works without the approval of the Director and shall afford full opportunity for the Director to examine and measure any work which is about to be covered up or put out of view and to examine foundations before permanent work is placed thereon and shall give at least seventy-two (72) hours' notice to the Director whenever any such work or foundations is or are ready or about to be ready for examination
- 3.5 The Director shall without unreasonable delay, unless he considers it unnecessary and advises the Developer accordingly, attend when required by the Developer for the purpose of examining such works or of examining such foundations
- 3.6 The Director shall for the purposes of paragraphs 3.1 to 3.5 be allowed reasonable access and admission to the Highway Works or the places where materials or plant for the Highway Works may be stored or in the course of preparation manufacture or use (unless such access or

admission is refused due to circumstances beyond the control of the Developer)

4 TESTING OF MATERIALS

- 4.1 The Developer shall reimburse the County Council for all reasonable costs and expenses whatsoever arising from the operation of paragraphs 4.2 to 4.5
- 4.2 The Director shall require the testing of materials plant and workmanship used or proposed to be used in the Highway Works and in his reasonable discretion have the power to reject any materials plant or workmanship so tested which he may reasonably and properly find to be not in accordance with the approved detailed plans Works Drawings and specification referred to in paragraph 1.2 of this Schedule
- 4.3 The Developer shall as soon as is reasonably practicable replace or repair any materials plant or workmanship which have been found to be not in accordance with the approved detailed plans Works Drawings and specification referred to in paragraph 1.2 of this Schedule
- 4.4 The Director shall for the purposes of paragraphs 4.2 to 4.5 be allowed reasonable access and admission to the Highway Works or the places where materials or plant for the Highway Works may be stored or in the course of preparation manufacture or use (unless such access or admission is refused due to circumstances beyond the control of the Developer)
- 4.5 The Developer shall as soon as is reasonably practicable remove such materials and plant as are rejected by the Director pursuant to paragraph 4.2. of this Schedule which are not capable of repair or remedy from the Site and if the Developer shall wish to continue to store such rejected materials and plant on the Site they shall be stored separately from those materials and plant which have not been so rejected or which the Developer shall wish in future to use in execution of the Highway Works

5 OPENING OF THE HIGHWAY WORKS

- 5.1 During the construction of each and all of the Highway Works and prior to the issue of the Certificate of Substantial Completion:

- (a) the Director may issue instructions to the Developer to open or expose any of the Highway Works which has been covered up without previously being inspected by the Director
- (b) should the Developer fail to comply with any such instructions the County Council may so take up or expose the relevant part of the Highway Works causing as little damage or inconvenience as is possible in respect of any other part or parts of the Highway Works the reasonable and proper cost of such taking up or exposure and reinstatement to be met by the Developer

PROVIDED THAT if the Highway Works or any part or parts thereof are covered up by the Developer after giving the notice referred to in paragraph 3.5 of this Schedule and the Director shall have failed to inspect in the period therein referred to and the Director shall subsequently require the Highway Works or any part of them to be uncovered for the purposes of inspection:-

- (a) if inspection reveals the relevant part or parts of the Highway Works to have been completed in accordance with the approved detailed plans drawings and specification referred to in paragraph 1.2 of this Schedule all costs in respect of such uncovering and inspection and of reinstating the part or parts of the Highway Works uncovered shall be borne by the County Council; or
- (b) if inspection reveals the relevant part or parts of the Highway Works not to have been completed in accordance with the approved detailed plans drawings and specifications referred to in paragraph 1.2 of this Schedule all reasonable and proper costs in respect of uncovering and inspection and of reinstating the part or parts of the Highway Works uncovered shall be borne by the Developer

6 UNDERTAKERS

6.1 Insofar as the County Council as Highway Authority is required by any legislation regulation direction or code of practice (including in particular but without prejudice to the generality of the foregoing the New Roads and Street Works Act 1991) to serve a notice or notices in respect of the Highway Works on undertakers or other persons the Developer shall comply with such requirement on behalf of the County Council before the Highway Works commence and shall thereafter assume on behalf of the

County Council such responsibilities as follow on therefrom in particular during the construction of the Highway Works and prior to the issue of the Certificate of Substantial Completion the Developer shall also:-

- (a) carry out or procure the carrying out of such works and activities in regard to the plant and equipment of undertakers as are required by undertakers in accordance with their statutory powers under the New Roads and Street Works Act 1991 as a result of the construction or intended construction of each and all of the Highway Works
- (b) cause all public sewers, highway drains gas and water mains electric cables and telecommunications ducts or other apparatus which are to be laid by the Developer under the Highway Works together with all necessary connections from them to the boundary of the Highway Works to be laid so far as is practicable under the Highway Works before the foundation of the Highway Works are laid and shall also in so far as is practicable cause the connections from electric cables to any street lamp to be laid before the paving of the footways comprised in the Highway Works is carried out
- (c) cause all trench works within the highway to be backfilled and reinstated in accordance with the Specification for the Reinstatement of Openings in the Highway as determined from time to time under the New Roads and Street Works Act 1991
- (d) not at any time give consent to the erection by any telecommunications operator of telegraph poles or telephone poles or to the erection by any statutory undertaker or public or private company firm or individual of any over ground or underground equipment without the consent in writing of the Director

7 PROTECTION OF THE PUBLIC

- 7.1 The Developer shall give due consideration to adjoining owners and occupiers at all times and shall organise activities relating to the Highway Works in such a manner as to cause the least practicable disruption

- 7.2 Prominent notices shall be displayed and maintained around the perimeter of the site of each and all of the Highway Works to warn the public of the dangers of entering the Site
- 7.3 The Developer shall nominate a member of the site management team as the contact point for the Director in the event of an emergency and shall advise a daytime and twenty-four (24) hour contact number to the Director for the same purpose
- 7.4 The Developer shall take or procure the taking of all necessary steps to avoid creating a nuisance from noise and in particular:
- 7.4.1 the Developer shall afford all reasonable facilities to enable the Director to carry out such site investigations as she may deem necessary in order to determine noise emission levels
 - 7.4.2 all vehicles and plant including compressors shall be fitted with effective silencers and acoustic covers as appropriate and maintained in good working order and all static plant shall be located to minimise nuisance to persons living or working in the vicinity
 - 7.4.3 all portable traffic signals and pumps shall be operated from mains electricity unless otherwise agreed with the Director
 - 7.4.4 noisy activities shall not be permitted on Sundays and Bank Holidays and except as agreed in writing by the Director shall not be permitted outside the hours of 9.30 a.m. to 4.30 p.m. Monday to Friday and 9.30 a.m. to 1 p.m. on Saturdays

PROVIDED THAT if in the reasonable opinion of the Director the Developer is not dealing adequately with the control of noise the Developer shall carry out or procure the carrying out of such additional measures as the Director considers necessary at the Developer's expense

- 7.5 Compliance with the provisions of paragraph 7.4 shall not relieve the Developer of any of his obligations and liabilities under this Agreement the Control of Pollution Act 1974 or the Environmental Protection Act 1990

- 7.6 The Developer shall take or procure the taking of all necessary steps to avoid creating a nuisance from dust and as far as practicable works are to be carried out in such a way that dust is kept to a minimum PROVIDED THAT if in the reasonable opinion of the Director the Developer is not dealing adequately with the control of dust the Developer shall carry out or procure the carrying out of such additional measures as the Director considers necessary at the Developer's expense
- 7.7 The Developer shall arrange the regular removal of refuse likely to encourage vermin and arrange for suitable secure storage containers to be provided for collection
- 7.8 The Developer shall keep a log book on site to record all complaints received from the public and the action taken in response and the log book shall be available for inspection by the Director

8 PREVENTION OF MUD BEING CARRIED ON THE PUBLIC HIGHWAY

- 8.1 Provision shall be made at the Site to limit in so far as is practicable the amount of mud dust and other materials carried on to adjacent public highways by vehicles and plant leaving the Site
- 8.2 The Developer shall keep or procure the keeping of all roads footpaths rights of way and other means of passage leading to or from or crossing the Site free from mud slurry or other hazardous substances that are deposited through the construction of the Highway Works and any such substance so deposited on any such road footpath right of way or other means of passage shall be promptly removed by or at the direction of the Developer
- 8.3 The Director may close any associated crossings entrances and exits if such substances deposited are not promptly removed by the Developer and any losses or expenses incurred as a result shall be borne by the Developer and on removal of such substances the Director shall reopen such crossings entrances and exits and the Developer shall bear the costs incurred

9 TRAFFIC CONTROL

9.1 During the periods when the Highway Works are being executed the Developer shall institute at his own expense measures previously approved in writing by the Director to maintain the safe flow of traffic on the highways in the vicinity of the site of the Highway Works

9.2 The Highway Works shall be signed and protected to at least the standards of Chapter 8 of the Traffic Signs Manual published by His Majesty's Stationery Office and the proposed arrangements shall be approved in writing by the Director before the Highway Works commence

10 TIMING

10.1 No Highway Works within or affecting existing public highways or temporary diversions which could interfere with the traffic flow will be permitted within the morning and evening peak periods i.e. 7.30 - 9.30 a.m. and 4.30 - 6.30 p.m. Monday to Friday except as agreed in writing by the Director

11 SAFETY

11.1 During the periods when the Highway Works are being carried out the Developer shall provide all watching and lighting as required and shall maintain all lights, guards, fencing, warning signs when and, where necessary, undertake such further measures as may be reasonably required by the Director

12 ACCOMMODATION WORKS

12.1 The Developer shall carry out or ensure that there shall be carried out all related accommodation works associated with the Highway Works

13 CONSTRUCTION (DESIGN AND MANAGEMENT) REGULATIONS 2015

13.1 The Developer shall be the only client for the purpose of the CDM Regulations and the Developer agrees to undertake the obligations of a client under the CDM Regulations and to use all reasonable endeavours to ensure that the Highway Works are carried out in accordance with the CDM Regulations

13.2 The Highway Works shall not commence until the Developer as the only client has provided to the Director:

- 13.2.1 an estimate of the number of working days and/or person days of construction work and the number of workers working on site simultaneously at any one point in the project which the Contract will entail
 - 13.2.2 written details of the principal designer and the principal contractor appointed for the project and also provide copies of the Construction Phase Plan and Health & Safety File
 - 13.2.3 a copy of the Notification of Project (form HSE F10) to the HSE pursuant to Regulation 6 of the CDM Regulations
- 13.3 Throughout the Highway Works the Developer shall provide to the Director copies of the updates and revisions to the construction phase plan and Health and Safety File pursuant to Regulation 12
- 13.4 Within twenty-eight (28) days of issue of the Certificate of Substantial Completion for any or all of the Highway Works the Developer shall provide to the Director
- 13.4.1 a plan showing the land over which those Highways Works have been constructed and
 - 13.4.2 a Health and Safety file conforming in all respects with the CDM Regulations and which shall accord with the current format used by the County Council
- 13.5 The Director shall be at liberty to delay issue of the Certificate of Final Completion in respect of any of the Highway Works if the Developer fails to provide the Director with the documents referred to in 13.4.1 and 13.4.2 above within twenty-eight (28) days of issue of any Certificate of Substantial Completion for any of the Highway Works equivalent to the number of days after the twenty-eight (28) day period that the documents were submitted
- 13.6 In respect of the Highway Works generally the Developer shall provide to the Director the final information in both paper and electronic format and shall at least comprise:
- 13.6.1 1:500 scale (or alternative scale as may be specified by the Director) "as built" drawings

- 13.6.2 records of the earthworks showing sources of material used in areas of fill description of fill materials descriptions of sub-grades in cut areas copies of results of tests of material carried out as part of the supervision of the construction of the earthworks
 - 13.6.3 records of the sources of supply of all deliveries of road construction materials with details of the location of the Highway Works at which each load is placed
 - 13.6.4 records of the sources of supply of all other manufactured materials (e.g. drainage goods, fencing materials, traffic signs, electrical components and cables etc).
- 13.7 The Developer shall indemnify and keep the County Council indemnified against any breach of the Developer's obligations under this paragraph
- 13

14 SITE CLEARANCE AND CERTIFICATE(S) OF SUBSTANTIAL COMPLETION

14.1 On Substantial Completion of the Highway Works the Developer shall:-

- 14.1.1 clear away and remove from the site of the Highway Works all constructional plant and temporary works of every kind and leave the site of the Highway Works in a neat and tidy condition to the satisfaction of the Director and
- 14.1.2 carry out stage 3 of the Road Safety Audit process and comply to the satisfaction of the Director with recommendations arising thereunder prior to the opening of the Highway Works to the public

14.2. Upon Substantial Completion of the Highway Works including any additional work resulting from stage 3 of the Road Safety Audit process to the satisfaction in all respects of the Director he shall issue a Certificate of Substantial Completion in respect of those Highway Works to the Developer provided that all costs and expenses owing to the County Council have been paid in respect of those Highway Works

14.3. The Developer hereby agrees that on the date of Substantial Completion that part of the Site upon which the Highways Works are constructed

which does not currently form part of the public highway shall be dedicated as highway under section 38 of the 1980 Act

14.4. After the issue of the Certificate of Substantial Completion the County Council may approve a reduction of up to 90% of the Performance Figure and return that amount plus interest applied at the Bank of England Base Rate minus 2 basis points, compounding annually at financial year end to the Developer on receipt of a written request in respect of the relevant Highway Works and the County Council shall release the Developer from its obligations under that Performance Cash Deposit in respect of the relevant Highway Works to such extent if for any period the Bank of England Base Rate is at or below 0.02% then no interest shall be payable for that period by any party to this Agreement

15 DEFECTS CORRECTION PERIOD AND CERTIFICATE OF FINAL COMPLETION

15.1 The Developer shall maintain each and all of the Highway Works for a period of eighteen (18) months (unless the Director agrees in writing a lesser period having considered paragraph 15.2) from the issue of the related Certificate of Substantial Completion and prior to the expiration of this period the Developer shall reinstate and make good any damage or defect which may have arisen from any cause whatsoever or be discovered during the said period of eighteen months (including any defect in or damage to the surface water drainage system) so as to place the highway and the Highway Works in a condition satisfactory to the Director

15.2 After the expiration of the period of twelve (12) months from Substantial Completion or the date the Development becomes operational (whichever is the latter) the Developer shall (unless the Director writes to the Developer informing him that it is to be carried out sooner or that he does not need to do so) carry out stage 4 of the Safety Audit and comply to the satisfaction of the Director with any recommendations arising thereunder

15.3 After the expiration of the period of eighteen (18) months referred to in paragraph 15.1 (or such lesser period as agreed in writing by the Director under paragraph 15.1) and after any defects have been made good as

therein provided including any improvements arising under stage 4 of the Road Safety Audit to the satisfaction of the Director and after the provisions of paragraph 13.4 and paragraph 20.2 of this Schedule have been fulfilled the Director shall issue forthwith to the Developer the Certificate of Final Completion in respect of the Highway Works provided that the Certificate of Final Completion shall in the case of road gullies extend only as far as their points of entry to the surface water sewers where those are not being adopted by the County Council as highway drains and upon the issue of the Certificate of Final Completion the County Council shall release the Developer from all subsisting obligations under the Performance Cash Deposit and shall release to the Developer the remainder of that deposit and interest applied at the Bank of England Base Rate minus 2 basis points, compounding annually at financial year end on receipt of a written request. If for any period the Bank of England Base Rate is at or below 0.02% then no interest shall be payable for that period by any party to this Agreement

15.4 If called upon to do so by notice in writing served within twenty-one years of the date hereof by the County Council the Developer agrees to transfer to the County Council in consideration of one pound any land over which any part of the Highway Works have been constructed which does not at the date of this Agreement already form part of the highway together with any other land dedicated as public highway by the Developer hereunder free in each case from encumbrances and together with all rights necessary to permit the use inspection maintenance repair and replacement of all utility systems servicing the Highway Works and not vested in the relevant undertaker as are situated outside the limits of the Highway Works and the said other land

16 INDEMNITY

16.1 The Developer shall from the date of this Agreement indemnify the County Council against all claims charges costs expenses liability or loss whatsoever arising out of and incidental to any or all of the Highway Works including but not limited to those arising out of any legally sustainable claims for payments under Section 10 of the Compulsory Purchase Act 1965 and Part I of the Land Compensation Act 1973 (as amended) in connection with those Highway Works provided that the

Developer's indemnity will not extend to any claims submitted to the County Council arising out of the negligence of the County Council's employees or arising out of any works of alteration carried out to any of the Highway Works by the County Council after the issue of the related Certificate of Final Completion

16.2 The County Council shall notify the Developer forthwith upon receipt of any such claim or liability

16.3 The County Council shall not accept or settle any claim without first having given the Developer the opportunity to provide the County Council with representations as to the validity of such claim

16.4 The indemnification referred to in paragraph 16.1 includes:

16.4.1 all fees incurred by claimants which the County Council is obliged to pay, and those of the County Council or its agent or contractor, in negotiating any claims (together with VAT payable on the claimants' professional advisors' fees);

16.4.2 statutory interest payments to claimants and their professional advisors; and

16.4.3 the County Council's reasonable and proper legal costs in making the compensation, fees and interest payments

17 PERFORMANCE CASH DEPOSIT

17.1 Without expense to the County Council the Developer pay the Performance Cash Deposit to the County Council for each and all of the Highway Works and the Developer shall be bound to the County Council in the amount of the Performance Figure for the Highway Works

17.2 Should the Developer default in the execution of its obligations to carry out any or all of the Highway Works and to maintain the same in accordance with the provisions of this Agreement then the County Council may (subject to the provisions hereinafter contained) itself carry out the Highway Works and maintain the same as aforesaid having first called upon the Performance Cash Deposit for the cost to be expended in so doing

- 17.2.1 Unless there is a danger to users of the highway the County Council shall give twenty (20) working days prior written notice (or lesser period as may in the circumstances be reasonable) of its intention to commence work under Paragraph 17.2
- 17.2.2 any notice served under this paragraph shall specify the period of the notice ("the Notice Period") the extent of the work which the County Council proposes to carry out and full details of all matters in respect of which the Director considers that the Highway Works have not been carried out in accordance with the terms of this Agreement
- 17.2.3 if before the expiry of the Notice Period the Developer serves written notice upon the County Council that the Developer intends diligently to execute the works specified in the notice in accordance with the terms of this Agreement and specifies a time to complete that the County Council considers reasonable in the circumstances the County Council shall not be entitled to execute the relevant part or parts of the Highway Works specified in the notice served under this paragraph unless the Developer then fails to execute those works within the agreed time scale
- 17.3 If the Developer should default in the execution of its obligations to carry out any or all of the Highway Works and to maintain the same in accordance with the provisions of this Agreement then the County Council will call upon the Performance Cash Deposit to provide the full Performance Figure (or such sum that remains following reduction of the Performance Cash Deposit in accordance with Paragraph 14.4 of this Schedule) in accordance with this Agreement. Save that the County Council after all works are completed and all contracts and any contract claims settled will return any Performance Bond sum unused with interest at the Bank of England Base Rate minus 2 basis points, compounding annually at financial year end on receipt of a written request to the Developer within one month of all the aforementioned completing and settling. If for any period the Bank of England Base Rate is at or below 0.02% then no interest shall be payable for that period by any party to this Agreement

18 COMMUTED SUMS FOR MAINTENANCE

18.1 Prior to the date of this Agreement the Developer shall pay to the County Council the Commuted Sums calculated as follows:

	£
Carriageway	£ 2,485.00
Footways	£ 525.00

19 LEGAL AND ADMINISTRATIVE COSTS

19.1 The Developer shall pay to the County Council:-

19.1.1 the whole of the costs of the County Council's Legal Services Department in connection with the preparation and completion of this Agreement and these costs shall be payable on completion of this Agreement;

19.1.2 interest at four per cent above the Bank of England Base Rate from time to time on any sum due to the County Council under this Agreement which is outstanding for more than twenty-eight (28) days from the date on which it was demanded or in the event that a dispute or difference regarding such payment is referred to arbitration pursuant to clause 4.1 of this Agreement the said twenty-eight (28) day period shall run from the date of the decision of the arbitrator (such interest to be charged on the amount outstanding each day from the date of issue of a written demand for any sum due or in the event that a dispute or difference regarding such payment is referred to arbitration pursuant to clause 4.1 of this Agreement such interest to be charged on the amount outstanding each day from the date of issue of the decision of the arbitrator)

19.1.3 The greater of £5000 (Five thousand pounds) or 7½% of the Performance Figure (excluding the costs associated with statutory undertakers work and traffic management) for the Highway Works towards the costs and expenses of the County Council of checking the design of each and all of the Highway

Works and inspecting each and all of the Highway Works such sum shall be payable prior to sealing of this Agreement

19.1.4 the reasonable cost to the County Council of undertaking Road Safety Audits and also the cost of the safety checks of details submitted which sum shall be payable prior to the safety audit commencing

19.1.5 the cost of any temporary and permanent traffic regulation orders which sum shall be payable prior to any work on the making of such order being commenced

19.1.6 the full cost of any other road traffic orders required to facilitate the Highway Works which sum shall be payable prior to any work on the making of such order being commenced

20 PARTS I AND II OF THE LAND COMPENSATION ACT 1973

Part I and II Claims

20.1 The Developer hereby undertakes and agrees with the County Council that in the event of any claim for compensation or otherwise or costs or charges arising in connection with or incidental to or in consequence of the carrying out of the Highway Works whether mandatory or discretionary which may be incurred by virtue of any enactment or statutory instrument and otherwise hereby provided for he will hold the County Council fully indemnified from and against all claims charges costs and expenses in connection therewith or arising therefrom

Part II Claims

20.2 The Developer covenants with the County Council to comply with the requirements of the Noise Insulation Regulations 1975 (SI 1975/1763) as amended and to provide to the County Council such evidence as is required by the Director to demonstrate compliance with the Noise Insulation Regulations 1975 prior to the issuing by the County Council of the Certificate of Final Completion in accordance with paragraph 15.3 of this Schedule

SCHEDULE II

The Highways Works comprising the following works:

<u>Location</u>	<u>Works</u>	<u>Delivery Programme</u>
Bramford Road	New access to Clarice House (Riverhills) and footway alterations	

Timescales: The Highways Works are to be commenced within 12 (twelve) months of the date of this Agreement and completed within 3 (three) months of commencement of the Highway Works

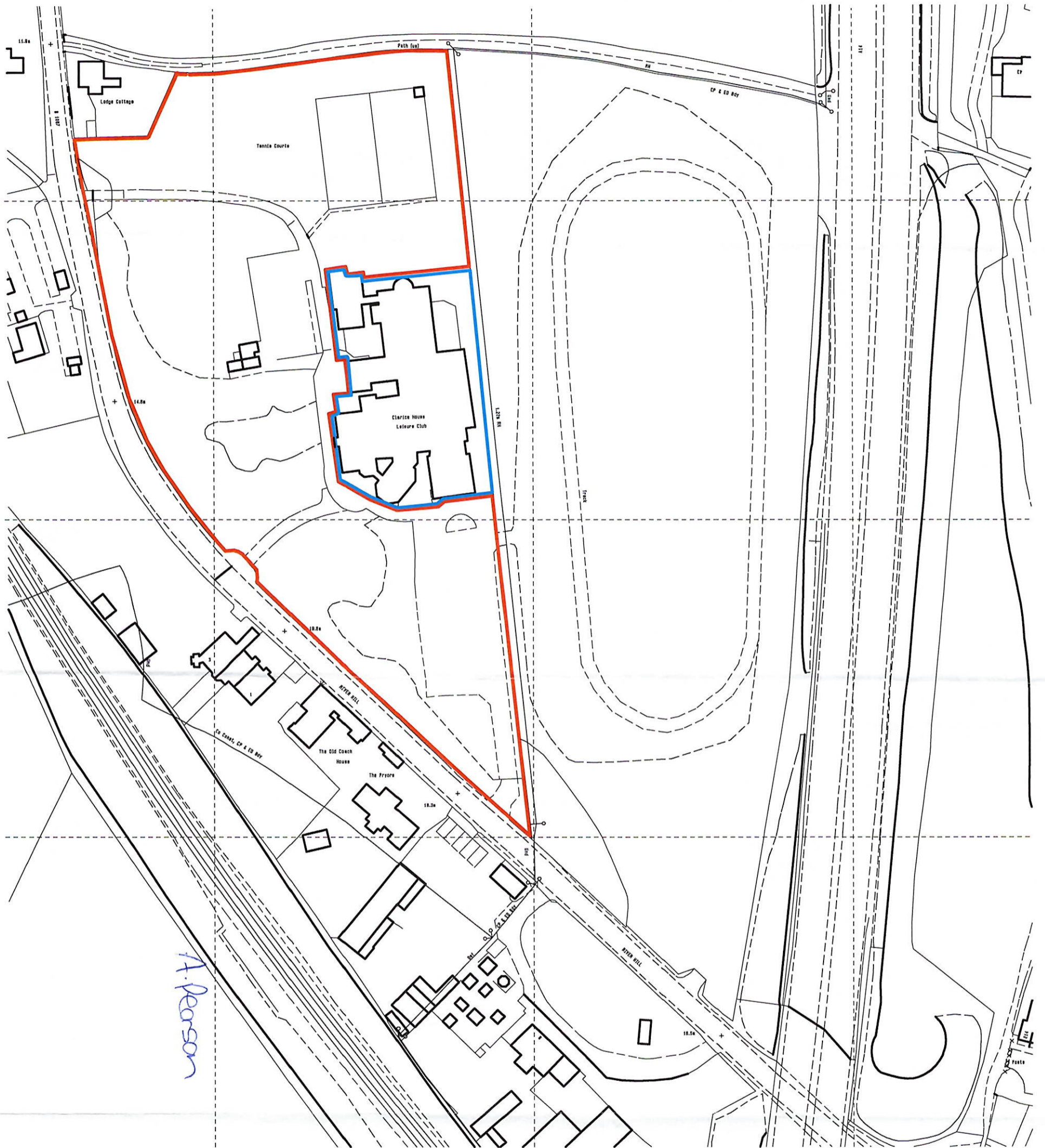
SCHEDULE III

Approved List of drawings

	Title	Drawing number
1.	S278 Layout	EX1816909-278 P2
2.	S278 Construction Details	EX1816909-280 P2
3.	Site Location Plan	3927-05

© This drawing and design are copyright.

Do not scale from this drawing. Use only figured dimensions. If in doubt, ask.
All dimensions are to be checked on site.
Any discrepancies should be reported immediately to the Architect.



**PROPOSED DEVELOPMENT; CLARICE HOUSE
BRAMFORD RD. BRAMFORD, IPSWICH. IP8 4AZ
Site Location Plan As Existing
Scale 1:1250 (A3)**

3927-05

DATE	REV.	DESCRIPTION	DRAWN
------	------	-------------	-------

**PatrickAllen&Associates
Architects**

architects@patrickallen.org.uk
www.patrickallen.org.uk
+44 (0)1473 620660

2 Grange Business Centre
Tommy Flowers Drive
Grange Farm
Kesgrave, Ipswich
Suffolk, IP5 2BY

© 2017 Patrick Allen & Associates Limited | Registered No: 4694261





Section B-B		20.000	Existing Road Channel
CHAINAGE		0.000	Visibility Splay
EXISTING GROUND LEVEL		19.138	
		19.632	
		21.345	

Section A-A		20.000	Channel level + 600mm
CHAINAGE		0.000	Visibility Splay
EXISTING GROUND LEVEL		18.452	Existing levels
		19.037	Proposed levels
		19.832	
		21.010	

Section 2/18 Agreement Key	
	Agreement boundary
	Non boundary to be adopted
	Chainage reference line
	Existing boundary line
	Proposed restricted private driveway

- General Notes:**
- Do not build the driveway, all dimensions are in metres unless otherwise noted. Any discrepancies are to be recorded and reported to the engineer immediately.
 - The driveway is to be used in conjunction with all other proposed and existing driveway, and the gate.
 - All work is to be to the satisfaction of the engineer and local authority building control.
 - The contractor is responsible for and must install all necessary provisions to ensure the stability of the works at all times during construction.
 - All work is to be carried out in accordance with the current British Standards.
 - All materials are to be laid and finished as necessary by the contractor prior to the commencement of the works.
 - Any existing drains which are shown on the drawings are to be protected and are to be checked or installed by the contractor. Any existing drains are to be protected and repaired to engineer's satisfaction.
 - All highway works are to be in accordance with the local authority's design and specifications.
 - Prior to the commencement of the driveway, the contractor shall be responsible for the driveway's stability and for the safety of the highway.
 - During construction works on site, all roads and highways are to be kept clear and unobstructed, this is to include existing highways and appropriate to ensure safe passage of all road users.
 - All road works are to be in accordance with the traffic signs regulations and direction 2016.
 - All work is to be carried out in accordance with the relevant standards and specifications.
 - All work is to be carried out in accordance with the relevant standards and specifications.
 - All work is to be carried out in accordance with the relevant standards and specifications.
 - All work is to be carried out in accordance with the relevant standards and specifications.
 - All work is to be carried out in accordance with the relevant standards and specifications.
 - All work is to be carried out in accordance with the relevant standards and specifications.



A. Pearson

Bearing Office OWS East Angles (Special) Unit 27, Bedgeford Farm Bedgeford, Stow, United Kingdom, IP10 8DQ, TEL: 01473 48707	
Project:	Chichester Leisure Barriod
Drawing Title:	S278 Layout
Client:	Chichester Leisure
Project No.:	EX18169/19
Drawing No.:	218
Issue:	P2
PRELIMINARY	

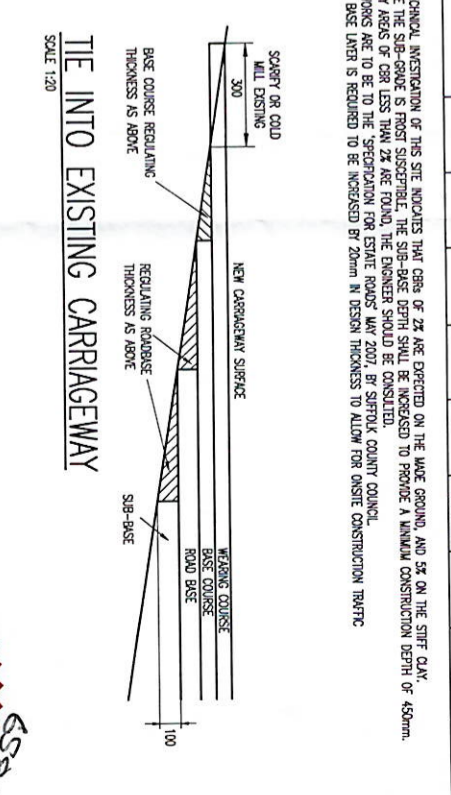


TYPICAL SECTION MINOR ACCESS ROAD
SCALE 1:20

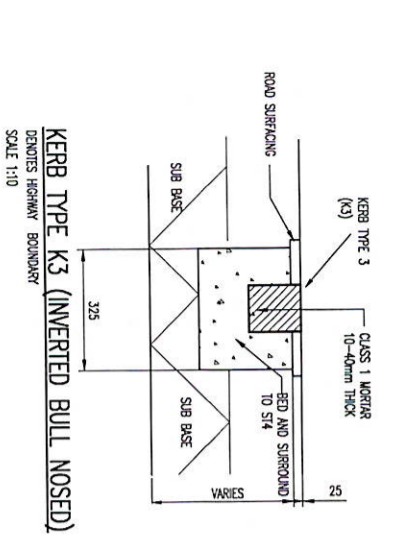
NOTE: THE ROAD FORMATION IS TO BE APPROVED BY SUFFOLK COUNTY COUNCIL PRIOR TO THE LAYING OF ANY SUB-BASE MATERIAL.

EXTRACT FROM TABLE 9/2 OF SUFFOLK COUNTY COUNCIL SPECIFICATION FOR ESTATE ROADS

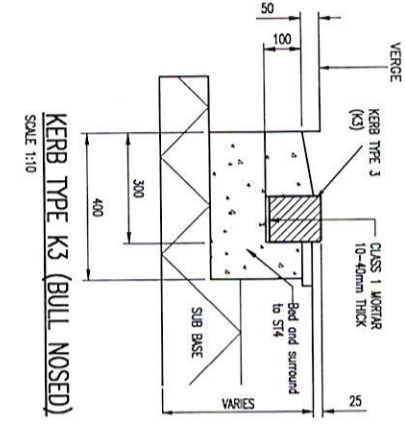
TYPE OF ROAD	DEPTH OF SUB-BASE FOR CBR VALUES (mm)	ROAD BASE DEPTH (mm)	LEARN CONC.	BINDER COURSE	SURFACE COURSE
<2%	2%	3%	4%	5%	
MAJOR ACCESS ROAD	SEE NOTE 1	420	320	250	225
		100 H&A	120 D&M	60 H&A	50 H&A
		100 H&A	60 H&A	50 H&A	50 H&A



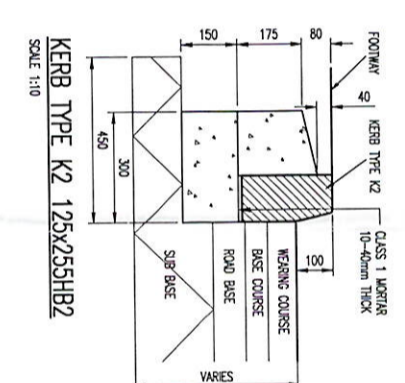
THE INTO EXISTING CARRIAGEWAY
SCALE 1:20



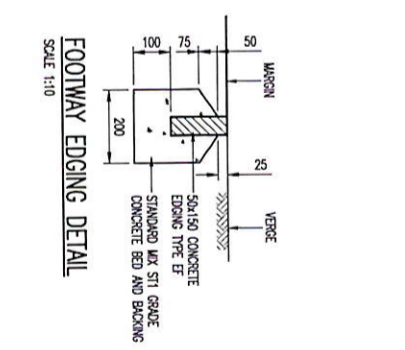
KERB TYPE K3 (INVERTED BULL NOSED)
SCALE 1:10



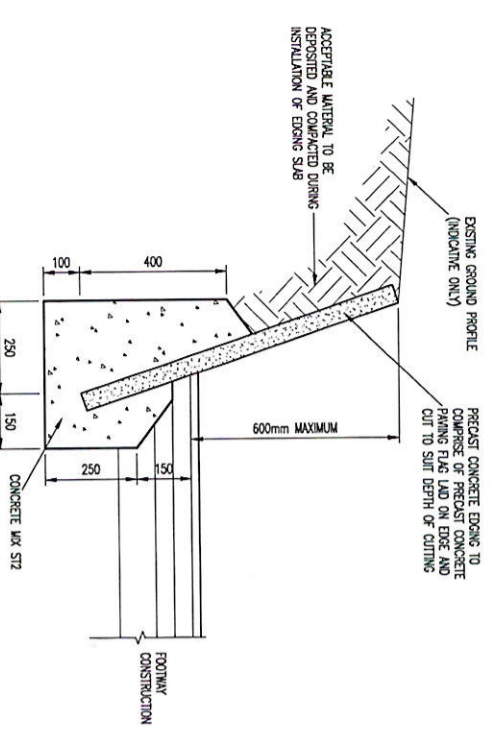
KERB TYPE K3 (BULL NOSED)
SCALE 1:10



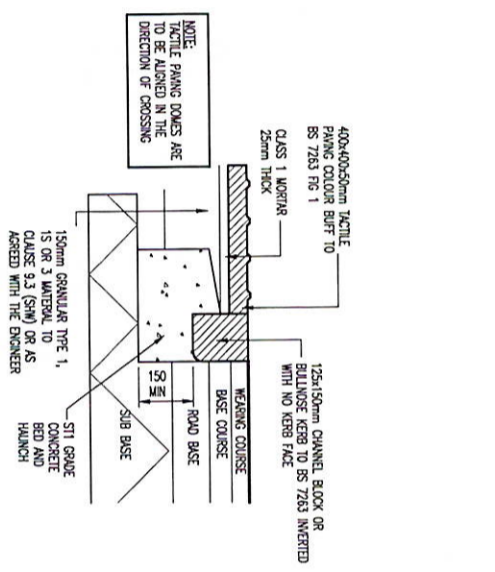
KERB TYPE K2 125x255H&Z
SCALE 1:10



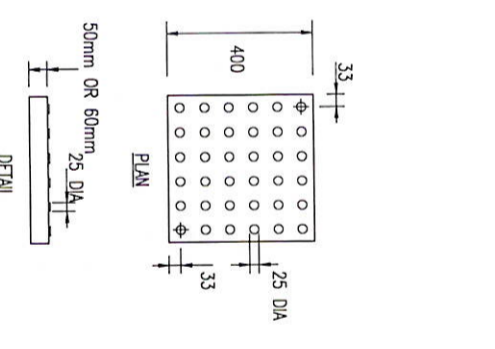
FOOTWAY EDGING DETAIL
SCALE 1:10



PAVING SLAB REVENTMENT DETAIL
SCALE 1:10



TACTILE PAVING DETAIL
SCALE 1:10



TACTILE PAVING MODULE
SCALE 1:10

- NOTES**
- Dimensions are in millimeters unless otherwise stated.
 - The specification for all highway works is the 'Manual of Contract Documents for Highway Works, Volume 1, Specification for Highway Works - Highway Agency, March 1998'.
 - All precast concrete kerbs and edgings to be laid and bedded in accordance with BS 7593 part 4 or a mix ST1 concrete foundation while it is still plastic or after it has set.
 - All precast kerbs to be finished with mix ST1 concrete.
 - All precast kerbs to be secured horizontally and vertically - alignment shall not deviate by more than 5mm in 5m from the line and level.
 - For kerbs of radius 150mm or less precast kerbs of appropriate radius shall be used.
 - Manufacture of kerbs, edgings and paving to be in accordance with BS EN 12461:2003.
 - Composition of bituminous materials is to be in accordance with clause 501.
 - Thicknesses of sub-base and the requirement for a coping by kerb shall be determined by on site CBR testing.

jms Group
Engineering That Brings Design To Life

Being Office
OAS Eastleigh, (previously Unit 27, Bopland Burn)
Bopland, South, United Kingdom. P O Box 1, Tel: 01473 487147

Project:
Client: Leisure, Bournemouth

Drawing Title:
Section 078
Construction Details

Client Liaison:
Drawing No:
EJ1816589

Scale:
1:10
1:20

Scale:
0m 1m 2m 3m 4m 5m

Scale:
0m 1m 2m 3m 4m 5m

Scale:
0m 1m 2m 3m 4m 5m

PRELIMINARY

Copyright © 2010

